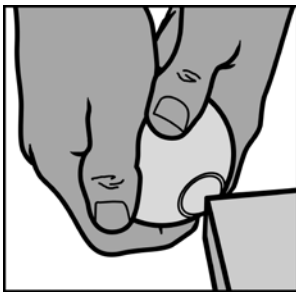
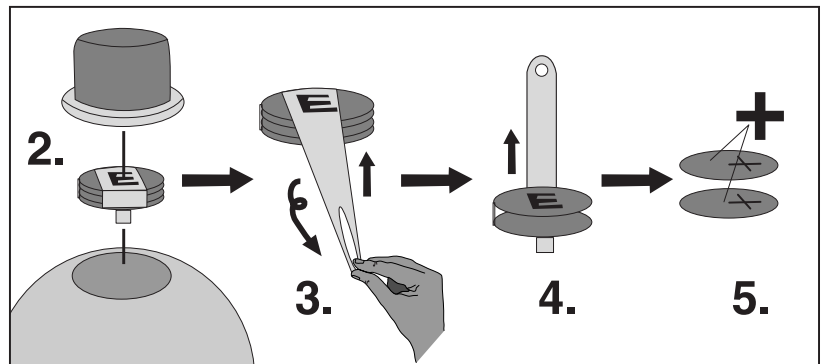
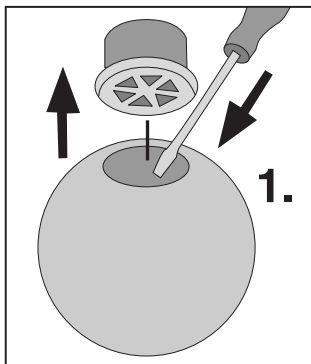


Meteorlight - L.E.D. Ball Instructions

1. To turn on/off, press and hold momentarily until flashing stops. The switch mechanism of this product is designed to be robust, which protects the function of the product. The following illustrations represent the methods that are recommended to depress the switch for turning the ball on/off.



2. Battery Change Instructions: Remove switch plug and L.E.D. module. Then remove and replace batteries with 2x 2016 3v or DL2016 3v + side up. Reassemble.



3. The Meteorlight™ L.E.D. Ball floats and is water resistant. NOTE: To minimize the possibility of corrosion damage, remove switch plug and carefully dry batteries and interior of compartments after contact with water. Then replace batteries, L.E.D. module and switch plug.
4. The Meteorlight™ L.E.D. Ball is intended to be used for throwing, catching, juggling and bouncing. High velocity impact via batting or slamming may compromise the product.
5. Contains small parts, which may become a choking hazard. Not intended for children under 3 years.